

Date: 2019-07-30
 Enquiry dated:
 Project:
 Quotation-no.:
 Item:
 Reference:



Evaporator (dx) GACC RX 031.1/1-70.A

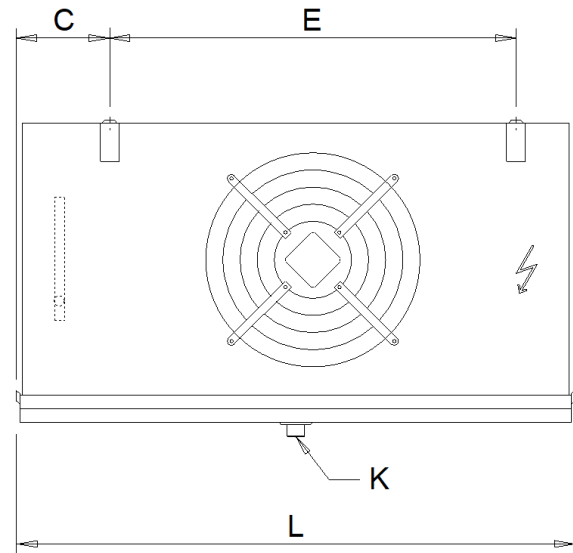
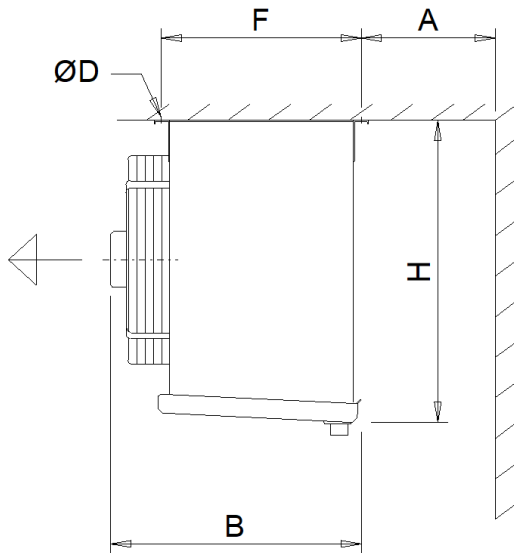
Capacity:	3.1 kW ⁽¹⁾	Refrigerant:	R404A ⁽²⁾
Surface reserve:	-0.0 %	Evaporation temp. (dew point):	-10.0 °C
Air flow:	1580 m ³ /h	Superheating:	5.0 K
Air velocity:	2.4 m/s		
Air inlet:	0.0 °C	Condensation temp. (dew pt.):	45.0 °C
Air outlet:	-4.6 °C	Subcooled temp.:	39.7 °C
Air pressure:	1013 mbar		
<hr/>			
Fans (AC):	1 Piece(s) 1~230V 50Hz		
Data per motor (nominal data):		Noise pressure level:	41 dB(A) in 3.0 m ⁽³⁾
Speed:	1350 min-1	Noise power level:	62 dB(A)
Capacity (el.):	0.09 kW	Air throw:	approx. 9 m ⁽⁴⁾
Current:	0.40 A ⁽⁵⁾	Frost:	0.0 mm
ErP:	Not relevant ⁽⁶⁾		
<hr/>			
Total el. power consumption:	0.10 kW	Energy efficiency class:	C (2014)
<hr/>			
Casing:	AlMg, Powder coated RAL 9003	Tubes:	Copper ⁽⁷⁾
Surface:	7.9 m ²	Fins:	Aluminum ⁽⁷⁾
Tube volume:	3.3 l	Distr. press. drop:	2.0 bar
Fin spacing:	7.00 mm	Outlet connection:	18.0 * 1.00 mm
Dry weight:	18 kg ⁽⁸⁾	Inlet connection:	16.0 mm
Max. operating pressure:	32.0 bar	PED classification:	Art. 4, par. 3 ⁽⁹⁾
<hr/>			
Dimensions:⁽⁸⁾			
Length:	752 mm		
Width:	430 mm		
Height:	455 mm ⁽⁸⁾		
No. suspensions:	4		

UI: 1820863P

Product code: 247-006W.1GW.2Y3.000P-R23.00.0000.000

GACC RX 031.1/1-70.A

Project:
Quotation-no.:
Item:
Reference:



File: EMF\GACC1_UNI.emf

L = 752 mm	B = 430 mm	H = 455 mm
E = 460 mm	F = 332 mm	C = 165 mm
A = 300 mm	ØD = 11 mm	K = G $\frac{3}{4}$ "

Drain according to DIN ISO 228-1 with G-thread (flat gasket).
Attention: Drawing and dimensions not valid for all accessory options!

Accessories	Piece(s)
Set for el. defrost for installation by customer ⁽¹⁰⁾⁽¹¹⁾ 230V-1~-1.44kW (BG351035-00002)	1

Important remarks / explanatory notes:

- (1) Capacity according to Eurovent
- (2) Fluid group 2 according to pressure equipment directive 2014/68/EU
- (3) According to the enveloping surface method defined in EN 13487/EN 9614-1; Eurovent tolerance = +2 dB(A). Applies only for AC fans, AC fans with sine control and EC fans. Noise caused by other control methods, water spraying systems or sound reflexions occurring at the installation site are not taken into account and may result in an increased sound pressure level.
- (4) Distance at which an air velocity of 0.5 m/s can still be measured isothermally in an ideal space. The achievable penetration depth of the air flow in the cold room depends on the spatial geometry and other factors.
- (5) The current consumption can differ in dependence of the air temperature and of the variations of system voltage according to the VDE guidance.
- (6) This unit is equipped with fans that are not subject to Directive 2009/125/EC (ErP Directive).
- (7) The unit may not be suitable for very corrosive atmospheres (close to shores, in smoke rooms, etc.). For further information see program menu "?", "Material recommendations brochure", or ask your sales partner.
- (8) Dimensions and weights are not valid for all possible options! They may differ for units with accessories or special units (S-...).
- (9) Piping (DN = 20.0 mm, T_{Smax} = 100 °C, gaseous). Final classification according to pressure equipment directive 2014/68/EU during order processing.
- (10) Fuse protection according to connected load on connection diagram, max. 25 A
- (11) Set comprises heating elements for coil and tray, terminal box, breaker strip, consumables.